

## Manuals



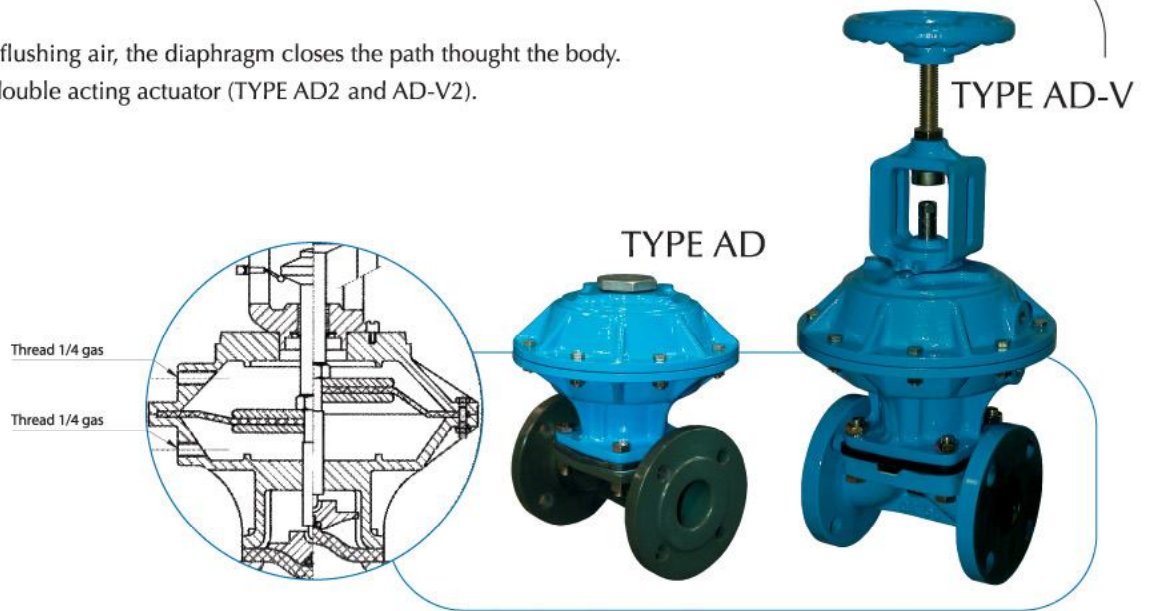
- Handwheel operated

# Diaphragm valves

## Models

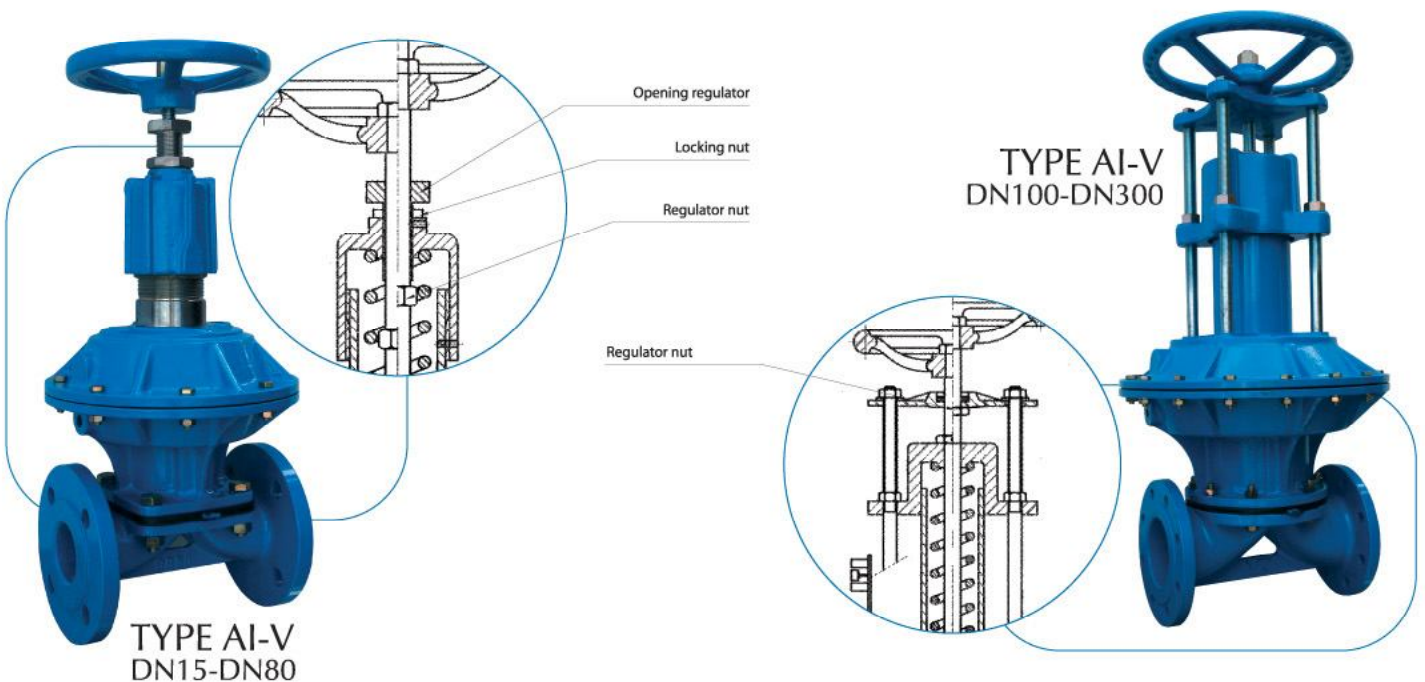
## Automatics (air to close)

- Pneumatic operated: when flushing air, the diaphragm closes the path through the body.
- Manufactured valves with double acting actuator (TYPE AD2 and AD-V2).



## Automatics (air to open)

- Pneumatic operated: when flushing air, the diaphragm opens the path through the body.
- Manufactured valves equipped with flow regulation (TYPE AI-VR).



## Bodies

Model 100  
(weir type)



DN 15 - DN 350

Model 85  
(straight through type)



DN 15 - DN 300

Model 100E  
(angled shape)



DN 20 - DN 150

Model 99  
(threaded weir type)



DN 15 - DN 80

Model 85/99  
(threaded straight through type)



DN 15 - DN 80

Model 99BW  
(butt welding)



DN 15 - DN 80

Model 99SW  
(socket welding)



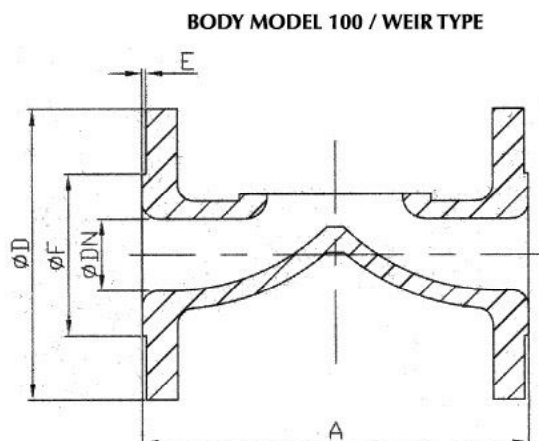
DN 15 - DN 80

• Available in straight through type

• Available in straight through type

- \* All the bodies are interchangeable with any drives (manuals, automatics air to open and air to close).
- \* The bodies can be internally lined protecting from aggressive chemical attacks, except the threaded ones.
- \* Manufacturing norms: DIN-3202 and BS-5156. Both PN10/16 and ANSI 125/150Lbs. The threaded: NPT and GAS. Other norms under request.
- \* Valves manufactured following European Pressure Equipment Directive PED 97/23/CE.

## Dimensions

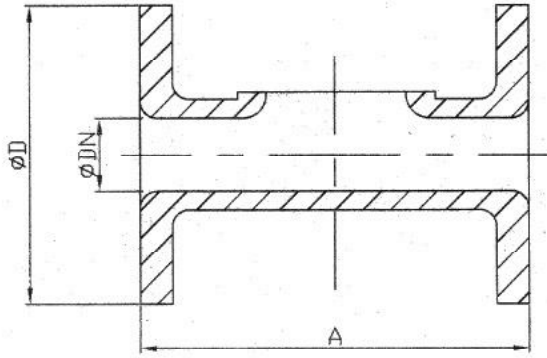


DN	INCHES	Ø D		A		Ø F	E
		PN 10/16	ANSI 125/150	DIN3202	BS5156		
15	1/2"	95	89	130	108	50	2
20	3/4"	105	99	150	117	58	2
25	1"	115	108	160	127	68	2
32	1 1/4"	140	118	180	146	78	2
40	1 1/2"	150	127	200	159	88	3
50	2"	165	153	230	190	102	3
65	2 1/2"	185	178	290	216	122	3
80	3"	200	190	310	254	138	3
100	4"	220	228	350	305	158	3
125	5"	250	254	400	356	188	3
150	6"	285	280	480	406	212	3
200	8"	340	343	600	521	268	3
250	10"	395	406	730	635	320	3
300	12"	445	483	850*	749	372	4
350	14"	505	533	**		440	4

\* 735 Special size

\*\* Zubi size: 750

**BODY MODEL 85 / STRAIGHT THROUGH TYPE**

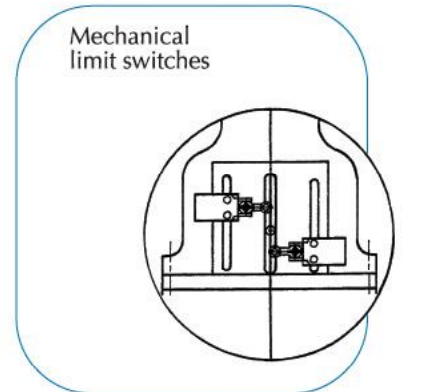
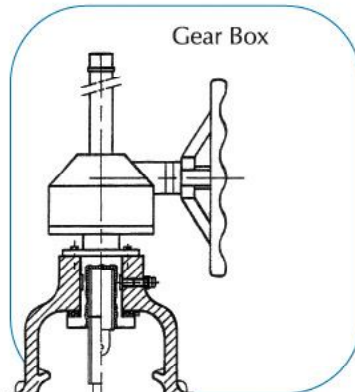
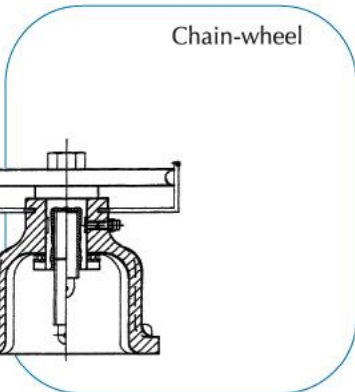
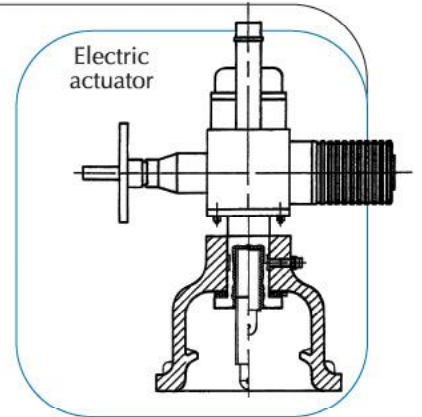
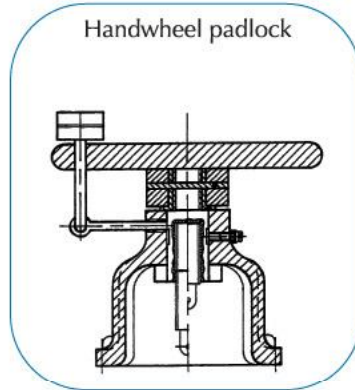
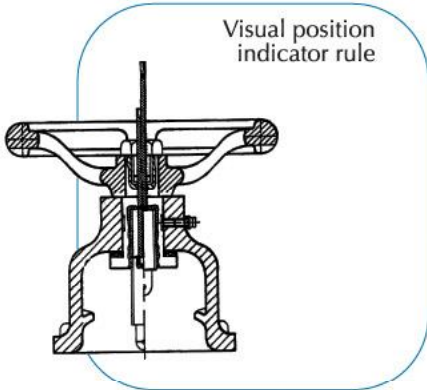


DN	INCHES	Ø D		A	
		PN 10/16	ANSI 125/150	DIN3202	BS5156
15	1/2"	95	89	130	108
20	3/4"	105	99	150	117
25	1"	115	108	160	127
32	1 1/4"	140	118	180	146
40	1 1/2"	150	127	200	159
50	2"	165	153	230	190
65	2 1/2"	185	178	290	216
80	3"	200	190	310	254
100	4"	220	228	350	305
125	5"	250	254	400	356
150	6"	285	280	480	406
200	8"	340	343	600	521
250	10"	395	406	730	635
300	12"	445	483	850*	749

\* 735 Special size

**Accessories**

**For manual valves**



**For automatic operated valves**

